



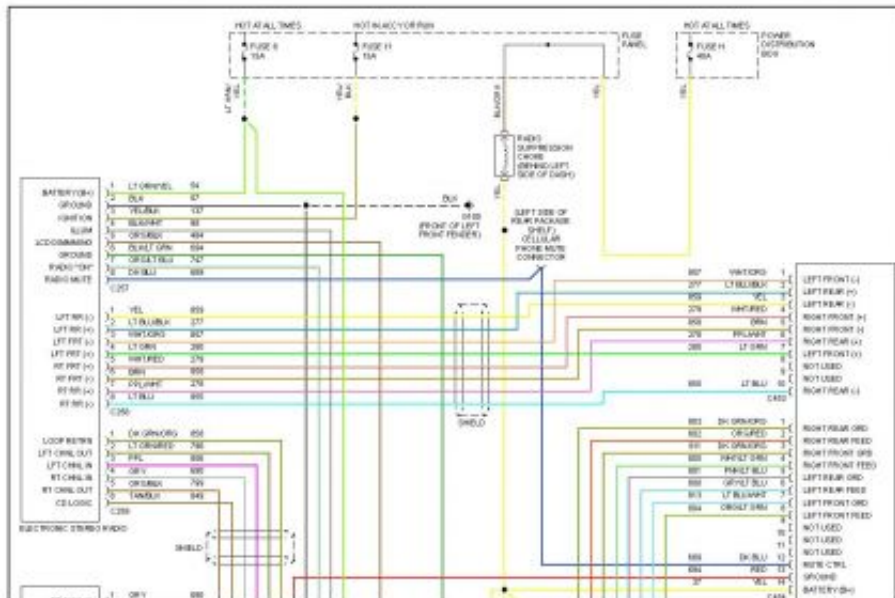
DOWNLOAD



DOWNLOAD

[Ford Focus Stereo Wiring Manual Thermostat](#)

1992 Lincoln Continental Signature Series-Fig. 14: Radio Circuits, W/ CD Player



[Ford Focus Stereo Wiring Manual Thermostat](#)



DOWNLOAD



DOWNLOAD

cd manual PDF wiring diagram for ford 6000 cd radio PDF.. The FREE setup is easy, and once complete search through thousands of categories and questions. e828bfe731 [Safari India Gujarati](#)

e828bfe731

[Remo Rar Repair 2.0 Keygen](#)